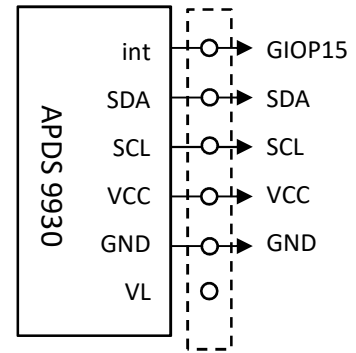


37	38
32	33
19	23
0	5
SDA	SCL
V drive	18
LiPo	Ubatt
3.3V	GND



AUX connector
top view ESP32 Print
 When assembled

Front Proxy connector
top view ESP32 Print
 When assembled

